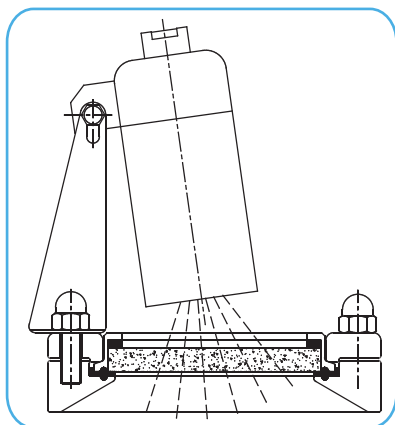
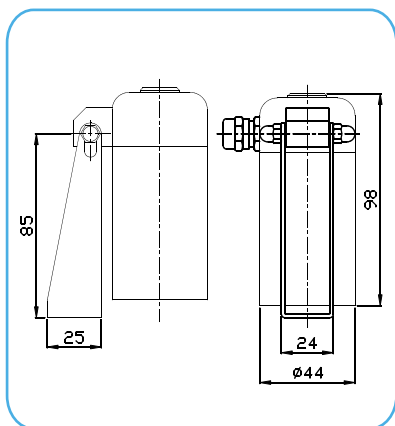


GPT-LED03 Led Lamp with Cable



KEY FEATURES

Power	35W
Power voltage	12V DC
Lumen	184 lm
Light Beam	36°
Duration	15.000 hours
Protection rating	IP66
Lamp Dimension	Diameter 44mm Total length 98 mm
Body Material	Stainless Steel
Light Source	LED Bulbs
Optional brackets	adjustable type



Suitable for illuminating mixers, inside tanks, agitators, pipes or other vessels.

Outstanding durability and reliability of operation, it's recommended for sterile/food environments, also boasts a compact design and a powerful light output.

Thanks to an easy installation there's no risk of a breakage, this ensure a high quality product.

Lamp+Brackets code: GPT-LED03-CS

Powerful stainless steel GPT-LED03 led luminaire can be mounted directly to standard TK-Sight glasses welded on vessel or pipeline and provides up to 35 watts of intense glare free illumination through a safety glass lens. Extremely compact, ideals for using in aseptic conditions.

DATASHEETS



Last updates can be found on our website - www.aerreinox.it
In the interests of development of the product, we reserve the right to change the specifications without prior notice